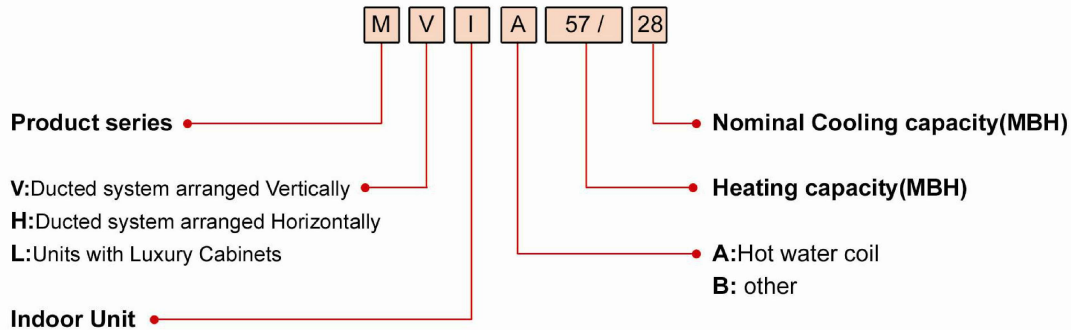


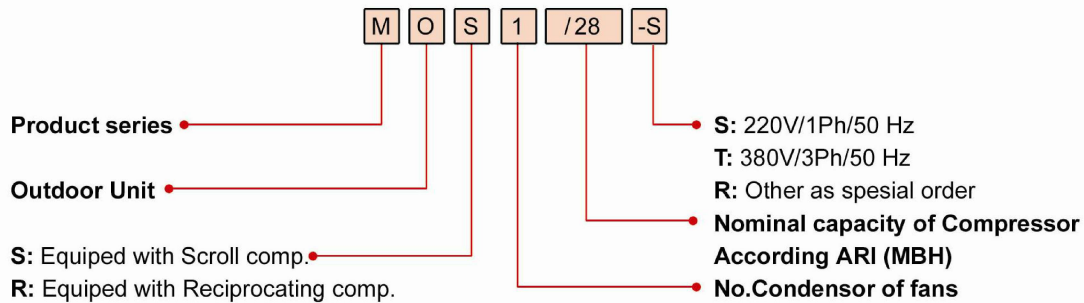
Split Type Ducted Air Conditioners (SPD)

MVI, MHI, MLI Models

MODEL IDENTIFICATION KEYWORD(for INDOOR UNITS)



MODEL IDENTIFICATION KEYWORD(for OUTDOOR UNITS)



RATING CONDITION

Rating Standard	Evaporating temp. °F/ °C	Condensing temp. °F/ °C	Ambient temp. °F/ °C	Liquid temp. °F/ °C	Return gas temp. °F/ °C
ARI	45/7.2	130/54.4	95/35	115/46.1	65/18.3

TECHNO ACTOR is proud to introduce his new line of products:

“Split Type Ducted Air Conditioner Packages” (SPD)

These products are ideal to be used in wide range of places such as:

- “residential apartments and houses”, “computer control rooms”, “Office buildings” and etc.

In designing and production of this new line of product, TECHNO ACTOR relied on dedication and expertise of its engineering and design departments staff.

SDPs come in three different models in capacities from 12 MBH to 72 MBH:

A) MVI models with capacities of 28 MBH to 72 MBH. (Floor Standing type)

(In models with 28, 42, 47, 61 and 72 MBH capacities)

B) MHI models with capacities of 12 MBH to 72 MBH. (Ceiling mounted Type)

(In models with 12, 18, 24, 28, 42, 47, 61 and 72 MBH capacities)

C) MLI models with capacities of 12 MBH to 24 MBH to 24MBH. (luxury cabinet)*

(In models with 12, 18 and 24 MBH capacities)

**Ceiling and Wall mounted with luxury cabinet*

Each unit has both cooling and heating functions.

Introduction to cooling function:

Both Indoor units and Outdoor units of SPDs are involved in producing cool air.



Indoor units of SPDs are composed of “Electro fans”, “DXs”, “Electrical panels”, “Heating Coils”, “Air suction Griel” and “Air Discharge Flange”.



Outdoor units of SPDs are composed of “Either Scroll or Reciprocating compressors”, “condensers coils”, “Electro motors fans”, “Filter dryers”, “Expansion valves” .

“INDOOR UNITS with duct system arranged horizontally” physical and electrical specifications(MHI)

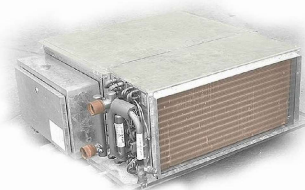
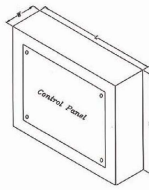
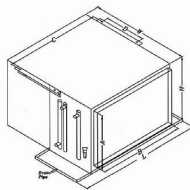
TYPE	MHIA25/12	MHIA38/18	MHIA48/24	MHIA57/28	MHIA89/42	MHIA98/47	MHIA122/61	MHIA150/72
Capacity [Btu/h]	12000	18000	24000	28000	42000	47000	61000	72000
Face Area [ft²]	1.57	1.85	2.13	2.26	2.82	2.82	4.26	5.30
Tube Diameters [in]	Dia. 3/8							
Fin [F.P.]	12	12	12	12	12	12	12	12
No. of Rows	3	3	3	4	4	4	4	4
Capacity [Btu/h]	25000	38000	48000	57000	89000	98000	122000	150000
Tube Diameters [in]	Dia. 5/8							
Water flow Rate [G.P.M]	3	4	4.8	6	9	10.5	15	18
Water p.d [ft. water]	3.5	4.5	5	1.5	3.5	4	1	1.5
Face Area [ft²]	1.57	1.85	2.13	2.26	2.82	2.82	4.26	5.30
Fin [F.P.]	8	8	8	8	8	8	8	8
No. of Rows	3	3	3	4	4	4	4	4
Connection [in]	3/4-in.MPT	3/4-in.MPT	3/4-in.MPT	1-in.MPT	1-in.MPT	1-in.MPT	1 1/4in.MPT	1 1/4in.MPT
Fan Type	MA.200	MA.300	2xMA.300,1xMA200	R4E-355-AG02	R4E-400-AP17	R4E-400AP17	R6E-500AB05	R6E-500AB05
No. of fans	2	2	3	1	1	1	1	1
Max. power supply [v/ph/Hz]	220/1/50							
Air flow	400	600	800	900	1400	1550	2000	2300
Rate	High	Medium	Low					
Electro Fans	300	500	700	800	1300	1350	1500	2000
[c.f.m]	200	300	600	700	1200	1250	1300	1700
Max. Input power [w/jhp]	(145)0.2	(145)0.2	2x(145)0.2	(210)0.28	(410)0.55	(410)0.55	(320)0.43	(320)0.43
Current [Amp]	0.63±0.1	0.64±0.1	2x(0.64±0.1)	1±0.3	1.7±0.2	1.7±0.2	1±0.3	1±0.3
Noise level [dB]	48	50	52	44	51	51	48	52
L [mm]ft	(870)2.85	(1000)3.3	(1300)4.26	(813)2.7	(963)3.15	(963)3.16	(1093)3.6	(1310)4.3
H [mm]ft	(214)0.71	(214)0.71	(214)0.71	(360)1.2	(360)1.20	(360)1.20	(460)1.51	(460)1.51
W [mm]ft	(640)2.1	(640)2.1	(640)2.1	(890)2.9	(890)2.9	(890)2.92	(980)3.24	(980)3.24
A [mm]ft	(184)0.61	(184)0.61	(184)0.61	(317)1.04	(317)1.04	(317)1.04	(417)1.37	(417)1.37
B [mm]ft	(690)2.3	(820)2.7	(950)3.11	(558)1.83	(708)2.32	(708)2.32	(838)2.75	(1058)3.47
C [mm]ft	(760)2.5	(890)2.96	(1020)3.4	(630)2.1	(780)2.6	(780)2.6	(990)3	(1130)3.7
D [mm]ft	(350)1.15	(350)1.15	(350)1.15	(460)1.5	(480)1.57	(480)1.57	(580)1.9	(580)1.9
Drain connection [in]	Copper tube Dia. 1/2-in. OD							
*Nominal room area Coverage [m²]ft²	(25-35) 269-376	(37-52) 398-559	(53-70) 570-753	(60-84) 645-904	(87-122) 936-1313	(100-140) 1076-1507	(125-175) 1345-1884	(150-210) 1614-2260
Approximate weight [kg]Lb	(32)70.4	(35)77	(42)92.4	(53)116.6	(60)132	(60)132	(83)182.6	(97)213.4
Control Panel Weight [kg]Lb	(12)26.4							
Control Panel Dimensions [LxHxW](mm)ft	(400x270x105) 1.34x0.90x0.35							

The nominal cooling capacities are based on: Indoor Air temperature of 80 °F (DB)/67° (WB)

The nominal heating capacities are based on: Indoor Air temperature of 70 °F (DB)

Entering water temp. for Heating Coil: 180°F

*Given applicable room area is calculated for a normal residential habitation. For using the appliance in other areas, please calculate corresponding thermal load, before selecting the appropriate model.



“INDOOR UNITS with duct system arranged vertically ” physical and electrical specifications(MVI)

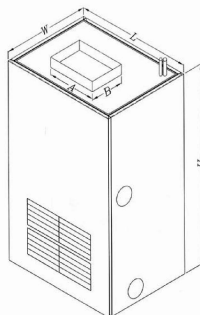
TYPE		MVIA57/28	MVIA95/42	MVIA105/47	MVIA122/61	MVIA150/72	
Cooling Coils	Capacity [Btu/Hr]	28000	42000	47000	61000	72000	
	Face Area [ft ²]	2.18	3.56	3.56	5.24	5.24	
	Tube Diameters [in]	Dia.3/8					
	Fin [F.P.I]	10	10	10	10	10	
	No.of Rows	4	4	4	4	4	
Heating Coils	Capacity [Btu/Hr]	57000	95000	105000	122000	150000	
	Tube Diameters [in]	Dia.3/8					
	Water flow Rate [G.P,M]	6	9	10.5	12.5	15	
	Water p.d [ft.water]	1.3	2	2.4	2.6	3	
	Face Area [ft ²]	2.18	3.56	3.56	5.24	5.24	
	Fin [F.P.I]	8	8	8	8	8	
	No.of Rows	4	4	4	4	4	
Connection [in]	1-in. MPT	1-in. MPT	1-in. MPT	1 1/4-in. MPT	1 1/4-in. MPT		
Indoor unit Electro Fans	Fan Type	R4E-400-AP17	R4E-400-AP17	R4E-400-AP17	R6E-500-AB05	R6E-500-AB05	
	No.of fans	1	1	1	1	1	
	Max. power supply [v/ph/hz]	220/1/50					
	Air flow	High	900	1400	1550	2000	2300
		Medium	800	1300	1350	1500	2000
		Low	700	1200	1250	1300	1700
	Max.Input power [w]hp	(410)0.55	(410)0.55	(410)0.55	(310)0.42	(310)0.42	
	Current [Amp]	1.7±0.2	1.7±0.2	1.7±0.2	1±0.3	1±0.3	
Noise level [dB]	39	51	51.5	48	52		
Indoor unit Dimensions	L [mm]ft	(656)2.15	(754)2.5	(754)2.47	(850)2.79	(850)2.8	
	H [mm]ft	(1047)3.43	(1197)4	(1197)3.92	(1550)5	(1550)5	
	W [mm]ft	(404)1.32	(404)1.35	(404)1.32	(620)2	(620)2	
	A [mm]ft	(500)1.64	(600)2	(600)1.97	(700)2.3	(700)2.3	
	B [mm]ft	(200)0.66	(200)0.7	(200)0.66	(200)0.66	(200)0.66	
Drain connection [in]	Steel pipe Dia.1/2-in. NPT						
*Nominal room area Coverage [m ²]ft ²	(60~84) 645~904	(87~122) 936~1313	(100~140) 1076~1507	(125~175) 1345~1883	((150~210) 1614~2260		
Approximate weight [kg]Lb	(65)143	(84)185	(84)185	(105)231	(105)231		

The nominal cooling capacities are based on: Indoor Air temperature of 80 °F (DB)/67° (WB)

The nominal heating capacities are based on: Indoor Air temperature of 70 °F

Interring water temp. For Heating Coil: 180°F

*The given applicable room area' is calculated for a normal residential habitation. For using the appliance in other areas, please calculate corresponding thermal load, before selecting the appropriate model.



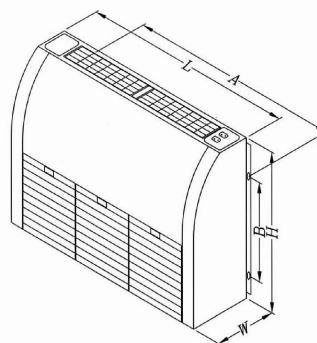
“Luxury cabinet models Indoor units” Physical and electrical specifications

TYPE		MLI/12000	MLI/18000	MLI/24000	
Cooling Coils	Capacities(Btu/hr)	12000	18000	24000	
	Tube Diameter(in)	Dia.3/8			
	Face Area(ft²)	1.74	1.99	2.65	
	Fins(F.P.I)	14	14	14	
	No.of Rows	3	3	3	
	Fan Type	MA.200	MA.300	2X MA.300,1X MA.200	
	No.of Fans	2	2	3	
Indoor unit Electro Fan Specifications	Power Supply	220/1/50			
	Air flow Rate [c.f.m]	High	400	600	800
		Medium	300	500	700
		Low	200	400	600
	Max.Input Power (w)ph	(145)0.2	(145)0.2	(2X145)2X0.2	
	Max.current(A)	0.65	0.65	2X0.65	
	Noise Level(dB)	48	50	52	
	L(mm)ft	(1030) 3.4	(1270) 4.16	(1495) 4.9	
	H(mm)ft	(610)2	(610) 2	(610) 2	
	W(mm)ft	(235)0.78	(235) 0.78	(235) 0.78	
A(mm)ft	(1000)3.3	(1240)4.1	(1465)4.8		
B(mm)ft	(355)1.16	(355)1.16	(355)1.16		
Approximate weight [kg]Lb		(33) 72.6	(40) 88	(50) 110	

Expansion valves can be located either on right or left side.

"LEFT or RIGHT" are stand for direction of "Expansion Valve", when you are directly In front of unit .

Nominal Cooling Capacity Is Based On: Indoor Air temperature of 80 °F (DB)/67° (WB).



PHYSICAL AND ELECTRICAL SPECIFICATIONS FOR OUTDOOR UNITS(MOS SERIES)

UNIT TYPE		MOS1/28-S	MOS1/42-S	MOS1/47-S	MOS2/61-T	MOS2/72-T
Condenser Coils	Rows-F.P.I	2-14	2-12	2-14	2-12	2-14
	Tube In	Dia.3/8				
	Face Area [ft ²]	5.20	7.66	7.66	10.14	10.14
Fan Motors	No.Of Fan	1			2	
	Fan Dia. [mm]ft	(440)1.44	(480)1.57	(480)1.57	(450)1.48	(450)1.48
	Fan Blade	4				
	C.F.M	2500	3000	3000	2x2500	2x2500
	Current [Amp]	0.60	1.30	1.30	2x0.65	2x0.65
	Input Power [w]hp	(68)0.1	(150)0.2	(150)0.2	(2x68) 2x0.1	(2x68) 2x0.1
Compressors	Brand Name	COPELAND -SCROLL				
	Model	ZR28K3-PFJ	ZR42K3-PFJ	ZR47K3-PFJ	ZR61KF-TFP	ZR72KC-TFD
	Power Supply	(V/PH/HZ)/(220/1/50)			(V/PH/HZ)/(380/3/50)	
	Input Power [w]hp	(2190)2.94	(3140)4.20	(3450)4.62	(4420)5.92	(5170)6.93
Dimensions	Current [Amp]	9±1	13±2	16.6±2	8±2	9±2
	L [mm]ft	(800)2.62	(900)2.95	(900)2.95	(950)3.12	(950)3
	H [mm]ft	(690)2.30	(860)2.82	(850)2.8	(1250)4.1	(1250)4.1
	W [mm]ft	(300)1.10	(330)1.10	(330)1.10	(340)1.11	(340)1.1
	A [mm]	(540)1.8	(604)2	(604)0.98	(582)1.9	(582)1.9
	B [mm]	(328)1.1	(355)1.18	(355)1.18	(370)1.21	(370)1.21
Connection [in]	Suction-ODS	5/8	3/4	3/4	3/4	3/4
	Liquid-ODS	3/8			5/8	
Approx Weight [kg] Lb		(65)143	(88)194	(93)205	(110)242	(111)244.2

UNIT TYPE		MOR1/12-S	MOR1/18-S	MOR1/24-S	MOR1/28-S	MOR1/47-S	MOR2/72-T
Condenser Coils	Rows-F.P.I	1-14	2-14	2-14	2-14	2-14	2-14
	Tube In	Dia.3/8					
	Face Area [ft ²]	4.67	5.7	5.2	5.2	7.66	10.25
Fan Motors	No.Of Fan	1				2	
	Fan Dia. [mm]ft	(400)1.31	(400)1.31	(440)1.34	(440)1.34	(480)1.57	(450)1.48
	Fan Blade	4					
	C.F.M	2100	2300	2500	2500	3000	2x2500
	Current [Amp]	0.40	0.57	0.60	0.60	1.3	2x0.65
	Input Power [w]hp	(25)0.033	(48)0.065	(68)0.1	(68)0.1	(150)0.2	(2x68) 2x0.1
Compressors	Brand Name	MATSUSHITA- RCIP.	COPELAND -RCIPROCATING				
	Model	2K23S225B	CR20KQ-PFT	CR24KQ-PFT	CR28KQ- PFT	CR47K3PFJ	CRNQ-0500
	Power Supply	(V/PH/HZ)/(220/1/50)			(V/PH/HZ)/(380/3/50)		
	Input Power [w]hp	(1230)1.65	(1680)2.25	(1980)2.66	(2520)3.38	(4000)5.37	(4990)6.7
Dimensions	Current [Amp]	6±1	6.2±1	6±1	7.4±2	16.6±2	7.6±1
	L [mm]ft	(760)2.5	(800)2.62	(800)2.62	(800)2.67	(900)2.95	(950)3.1
	H [mm]ft	(540)1.80	(690)2.26	(690)2.26	(690)2.30	(850)2.8	(1250)4.1
	W [mm]ft	(260)0.85	(300)0.98	(300)1	(300)1.10	(330)1.10	(340)1.1
	A [mm]	(500)1.64	(540)1.8	(540)1.8	(540)1.8	(604)1.98	(582)1.9
	B [mm]	(288)0.95	(328)1.1	(328)1.1	(328)1.1	(355)1.16	(370)1.23
Connections [in]	Suction-ODS	3/8	3/8	5/8	5/8	3/4	3/4
	Liquid-ODS	1/4	1/4	3/8	3/8	5/8	5/8
Approximate Weight [kg] Lb		(40)88	(55)121	(60)132	(67)147.4	(95)209	(111)244.2

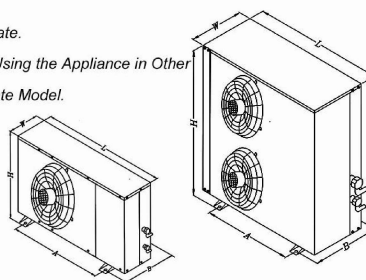
Fan Material: Fiber Glass Reinforced Plastic.

Cabinet Paint: Coated With Electro Static Powder Paint Baked On Galvanized Steel Plate.

Given Applicable Room Area Is Calculated For A Nominal Residential Habitation. For Using the Appliance in Other Areas, Please Calculate Corresponding Thermal Load, Before Selecting The Appropriate Model.

Refrigerant-R-22.

Outdoor Temperature 95° F



Fans' Diagrams- Curve Specifications

